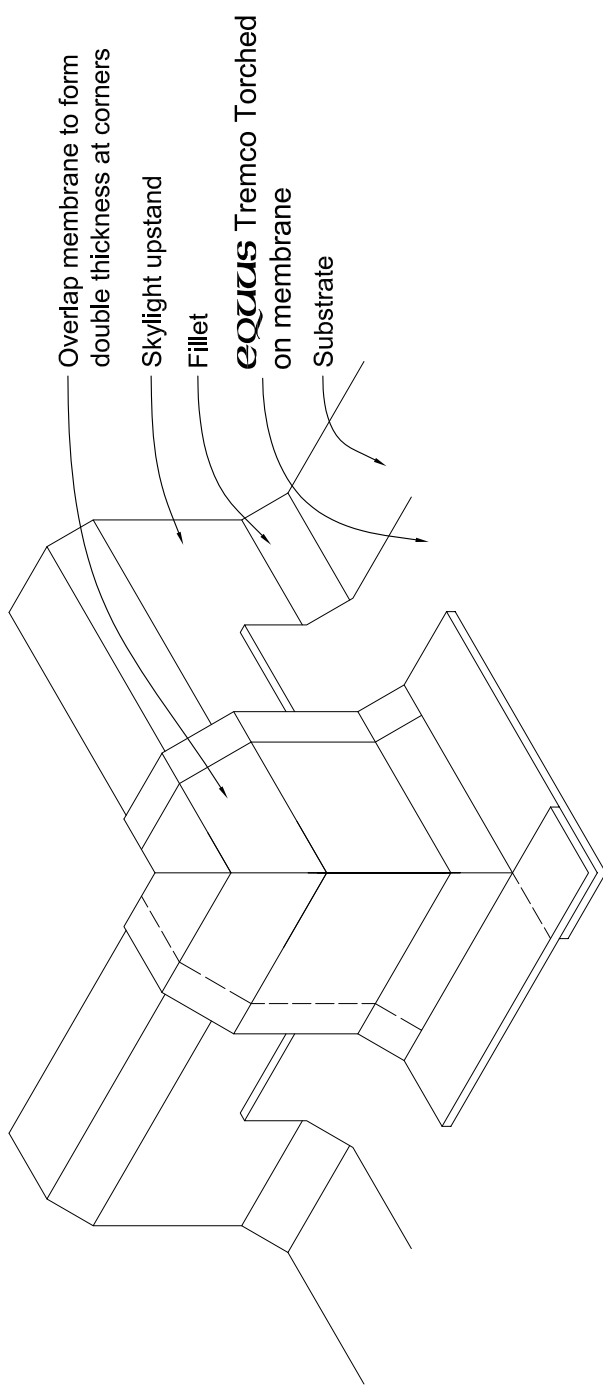


TYPICAL SECTION THROUGH SKYLIGHT



UPSTAND CORNER MEMBRANE DETAIL

NOTE:
This drawing is to be read in conjunction with the New Zealand building code, and NZS 3604 to determine structural framing and substrate dimensions, materials and treatment, and minimum falls.

Skylight Flashing Detail	Drawing No: TP2.1.6
	Cad ref:
	Drawn by: NLH
	Date: 31/01/05



eQuus
WATERTIGHT TECHNOLOGY

eQuus Tremco Torched on Details are specifically drawn for use by Local Authorities, Building Contractors, Equus Applicators, Architects and design Professionals. All details are drawn to assist developing project specific details. However they can be modified where necessary to accommodate job specific requirements, but must be approved by Equus Industries Limited. All components must be supplied by Equus Industries Ltd. We reserve the right to alter or update Details at any time without prior notice.