

Cladding to form drip edge across penetration

equus Tremco torched on two layer membrane continuous through base and up sides of opening with upper edges sealed against cladding.

Return membrane into rainwater head and along back of rainwater head

Membrane dressed over 50x50 mm aluminium drip rebated into substrate.

Return membrane at drip end

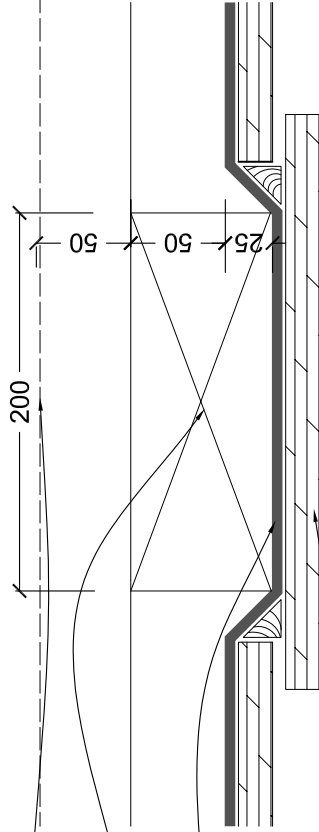
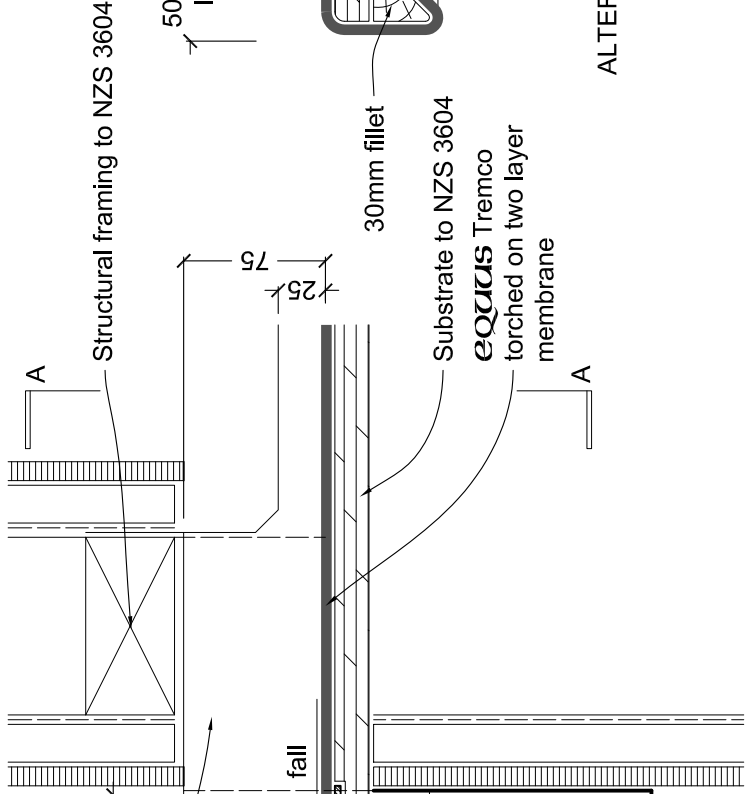
Rainwater head and down pipe

Line of **equus Tremco** torched on two layer membrane lapped 50mm behind wall cladding

Outlet through wall

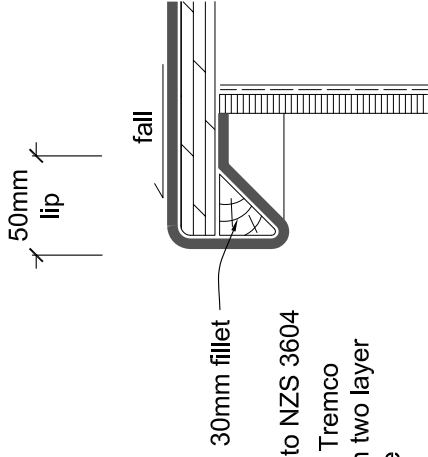
equus Tremco torched on twpp layer membrane

Substrate to NZS 3604



SECTION A-A

ALTERNATIVE DRIP EDGE



NOTE:

This drawing is to be read in conjunction with the New Zealand building code, and NZS 3604 to determine structural framing and deck substrate dimensions, materials and treatment, and also minimum falls, overlapping and outlet size.

Scupper Outlet Detail	Drawing No: TP.2.1.4
	Cad ref:
	Drawn by: NLH
	Date: 31/01/05



equus
WATERTIGHT TECHNOLOGY

Equus Tremco Torched on Details are specifically drawn for use by Local Authorities, Building Contractors, Equus Applicants, Architects and design Professionals. All details are drawn to assist developing project specific details. However they can be modified where necessary to accommodate job specific requirements, but must be approved by Equus Industries Limited. All components must be supplied by Equus Industries Ltd. We reserve the right to alter or update Details at any time without prior notice.