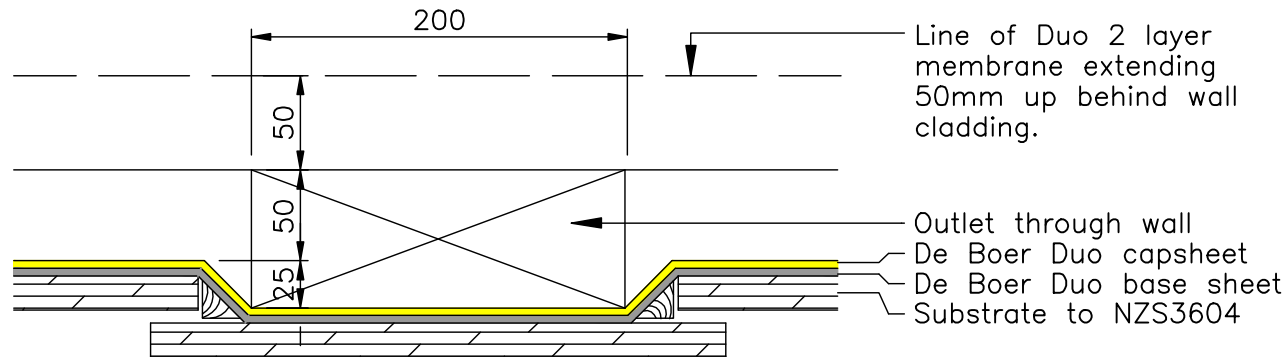


Alternative Drip Edge



Typical Section

NOTE:
 This drawing to be read in conjunction with New Zealand Building Code, and NZS 3604 to determine substrate materials, dimensions and treatment. and minimum falls required.

de boer
waterproofing solutions

E-mail : info@deboer.be
 web-site : www.deboer.be

equus

Web: www.equus.co.nz
 Web: www.equus.com.au

**Duo Roofing Membrane
 Scupper Outlet Detail**

Drawing No:	DBP2.1.4
Scale:	NTS
Drawn by:	CGB
Date:	8/07/09

De Boer Waterproof Membrane Details are specifically drawn for use by Local Authorities, Building Contractors, Equus Applicators, Architects and design professionals. All details are drawn to assist in the development of project specific details. Details may be modified where necessary to accommodate job specific requirements but must be approved by Equus Industries Ltd. All components must be supplied by Equus Industries Ltd. Equus Industries Ltd reserves the right to alter or upgrade details at any time without prior notice.