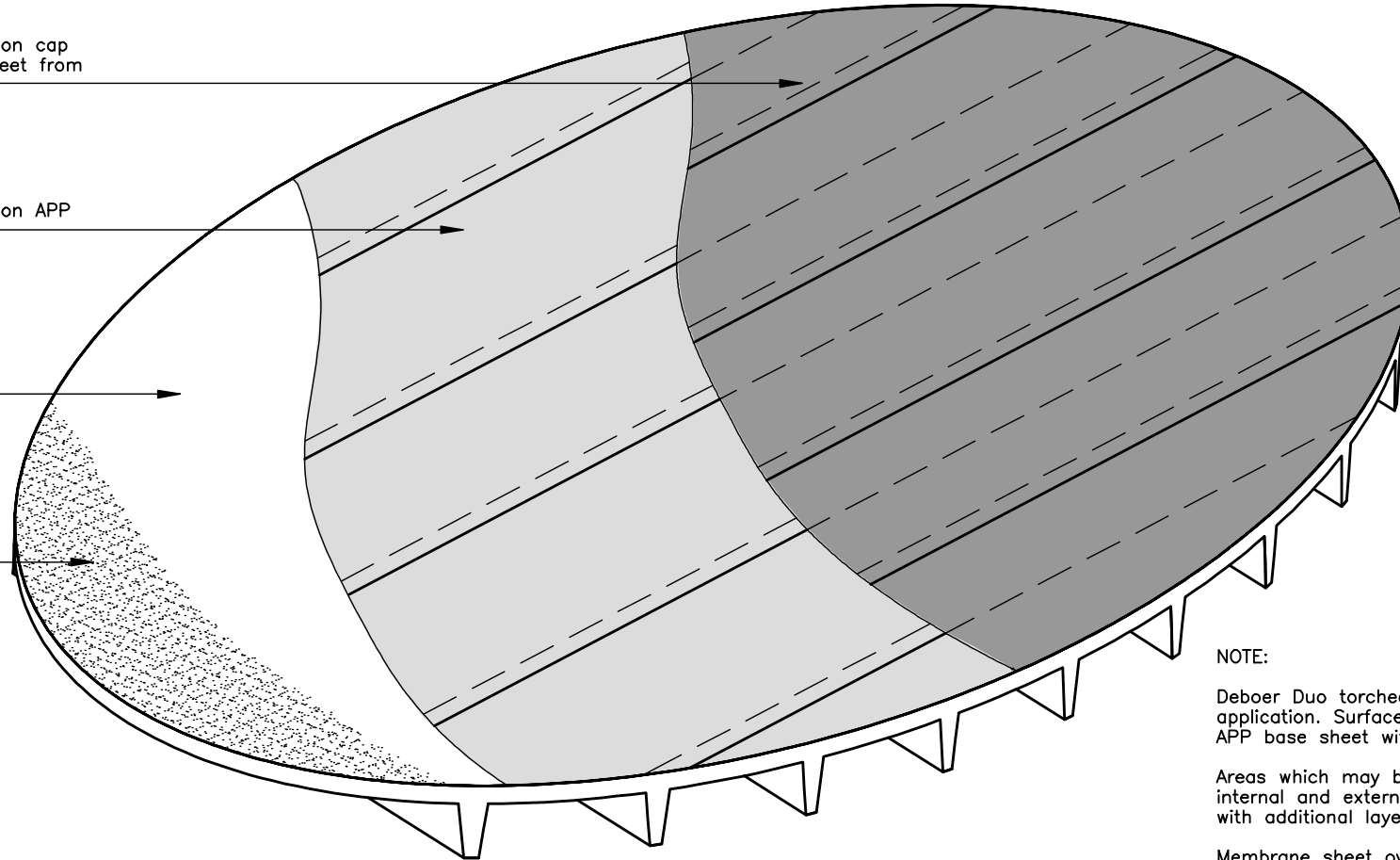


3. Deboer Duo torched-on cap sheet. Offset 1/2 sheet from base sheet.

2. Deboer Duo torched-on APP 2.5 base sheet.

1. Deboer Duo bitumen primer.

Concrete substrate.



NOTE:

Deboer Duo torched on membrane is a two layer application. Surfaces exposed to weathering require APP base sheet with Duo capsheet.

Areas which may be prone to stress, ie. upstands, internal and external corners etc, may be treated with additional layers of membrane.

Membrane sheet overlaps to be:
80mm min for side laps
100mm min for end laps



de boer
waterproofing solutions
E-mail : info@deboer.be
web-site : www.deboer.be



equus
Web: www.equus.co.nz
Web: www.equus.com.au

Duo Roofing Membrane Product Installation Step Procedure

Drawing No:	DBC1.1.1
Scale:	NTS
Drawn by:	CGB
Date:	1/11/08

De Boer Waterproof Membrane Details are specifically drawn for use by Local Authorities, Building Contractors, Equus Applicators, Architects and design professionals. All details are drawn to assist in the development of project specific details. Details may be modified where necessary to accommodate job specific requirements but must be approved by Equus Industries Ltd. All components must be supplied by Equus Industries Ltd. Equus Industries Ltd reserves the right to alter or upgrade details at any time without prior notice.