

Cladding to form drip edge across penetration

**eQUUS** Chevaline Dexx membrane continuous through base and up sides of opening with upper edges sealed against cladding.

Return membrane into rainwater head and along back of rainwater head

Membrane dressed over 50x50 mm aluminium drip rebated into substrate.

Return membrane at drip end

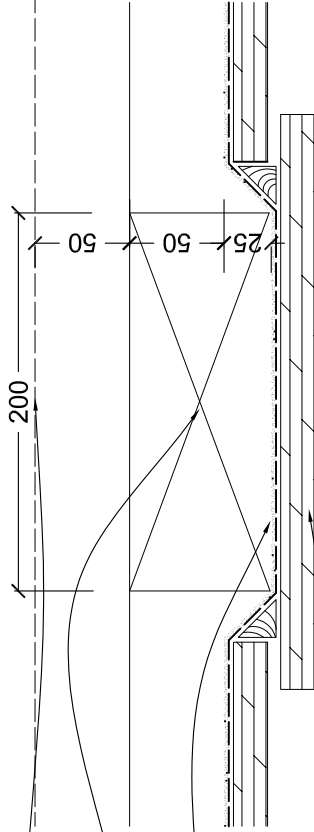
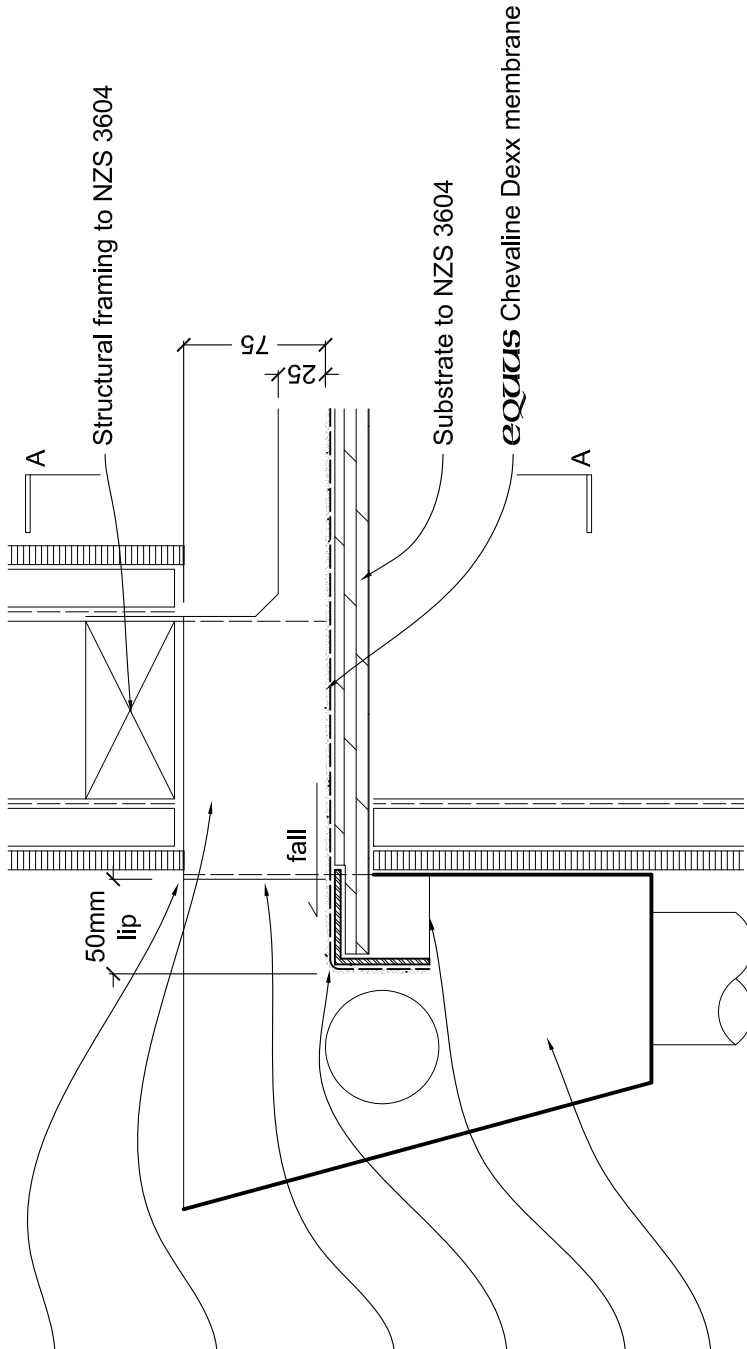
Rainwater head and down pipe

Line of **eQUUS** Chevaline Dexx membrane lapped 50mm behind wall cladding

Outlet through wall

**eQUUS** Chevaline Dexx membrane

Substrate to NZS 3604



**NOTE:**

This drawing is to be read in conjunction with the New Zealand building code, and NZS 3604 to determine structural framing and deck substrate dimensions, materials, and treatment, and also minimum falls, overlapping and outlet size.

Drawing No:	D6
Cad ref:	
Drawn by:	NLH
Date:	23/10/04

**Scupper Outlet Detail**



**eQUUS**  
WATERTIGHT TECHNOLOGY

eQuus Chevaline Dexx Details are specifically drawn for use by Local Authorities, Building Contractors, Equus Applicators, Architects and design Professionals. All details are drawn to assist developing project specific details. However they can be modified where necessary to accommodate job specific requirements, but must be approved by Equus Industries Limited. All components must be supplied by Equus Industries Ltd. We reserve the right to alter or update Details at any time without prior notice.